

# P60.915



## STANDARD PRESSURE GAUGES PLASTIC CASE

### CASE DIAMETER

40, 50 and 63 mm

### ACCURACY CLASS PER EN 837-1/6

2.5

### SCALE RANGES PER EN 837-1/5

-1...0 to 0...60 bar  
or equivalent other units of pressure  
or vacuum

### WORKING PRESSURE

Steady: 3/4 of full scale value  
Fluctuating: 2/3 of full scale value  
Short time: full scale value

### OPERATING TEMPERATURE

Ambient: - 20 to + 60 °C  
Process fluid: max 60 °C

### STANDARD FEATURES

#### PROCESS CONNECTION

Material: brass  
Thread size: 1/8" BSP, BSPT or NPT M  
lower or centre back  
for diameter 40 mm  
Thread size: 1/4" BSP, BSPT or NPT M  
lower or centre back  
for diameter 50 and 63 mm

#### PRESSURE ELEMENT

Bourdon tube  
Material: phosphor bronze

#### MEASURING SYSTEM

Bourdon tube and socket are tin  
alloy-welded; one integral unit

#### MOVEMENT

Cu-alloy

### DIAL

Plastic with black markings on white  
background, with pointer stop pin

### POINTER

Plastic black for back connection  
Black aluminium for lower connection

### CASE

ABS, black finish

### WINDOW

Snap-on polycarbonate

### OPTIONAL EXTRAS

Other process connection  
Red indicator pointer on lens  
Customer dial layout  
Accuracy class 1.6  
Nicked socket



Calle Pirita 12450 Galpón 22

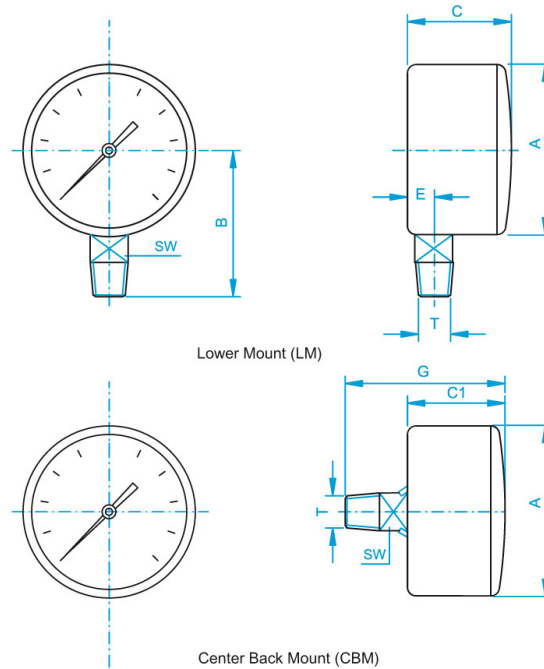
La Chimba Alto Antofagasta - Fono (55) 261 8313

[www.promid.cl](http://www.promid.cl)

# P60.915



## STANDARD PRESSURE GAUGES - PLASTIC CASE



Dimensions (mm)

Size	A	B	C	C1	E	G	T*	SW
40	41.5	36.8	23.4	27	7.7	47.3	1/8"	11
50	48.7	44.1	27	27	9.7	50.3	1/8"-1/4"	14
63	61.6	53.3	28	28	10	51.3	1/4"	14

\* BSP,BSP-T,NPT

In the interest of technical progress IIEC reserves the right to modify, without prior notice, the specifications and material mentioned.

### HOW TO ORDER

#### 1) NOMINAL SIZE

**40 50 63**

#### 2) BASIC MODEL

**P60.915**

#### 3) GAUGE CONNECTION

**1** 1/4" BSPT - M      **2** 1/4" NPT - M      **3** 1/4" BSP - M  
**4** 1/8" BSPT      **5** 1/8" NPT      **6** 1/8" BSP

#### 4) TYPE OF MOUNTING

**L** DIRECT BOTTOM ENTRY      **R** DIRECT CENTRE BACK ENTRY

#### 5) SCALE RANGE: 0...1 to 0...60 bar

or equivalent other units of pressure or vacuum

#### 6) OPTIONS

**OC** ACCURACY CLASS 1,6 %      **RH** CUSTOMER DESIGNED DIAL  
**NS** NICKELED SOCKET      **SP** RED POINTER INDICATOR ON LENS

**1** · **2** · **3** · **4** · **5** · **6**

**EXAMPLE :** **50** · **P60.915** · **2** · **L** · **25 BAR** · **RH**

**Calle Pirita 12450 Galpón 22**  
**La Chimba Alto Antofagasta - Fono (55) 261 8313**  
**www.promid.cl**