

# P600T

## **BOURDON TUBE PRESSURE GAUGE S with electrical output signal**

### **ALL STAINLESS STEEL SAFETY PATTERN VERSION**

#### **With solid baffle wall according EN837-1**

#### **MODEL P600T / P600.5T WITHOUT / WITH SILICON FILLING**

#### **CASE DIAMETER**

100 and 150 mm

#### **ACCURACY CLASS**

1.0

#### **SCALE RANGE**

0...0,6 to 0...600 bar  
-1...0 ; -1...+24 bar  
or equivalent other units of  
pressure or vacuum ranges

#### **PRESSURE LIMITATION**

Continuous service:  
- steady pressure up to F.S. value  
- fluctuating pressure up to 90%  
F.S. value  
- short time 1,3 per F.S. value for  
range up to 100 bar and 1,15  
per F.S. for range over 100 bar

#### **OPERATING TEMPERATURE**

Ambient :  
-40 / +60 °C  
Medium :  
-40 / +100 °C max.

#### **TEMPERATURE EFFECT**

When temperature of the  
measuring system deviates  
from reference temperature  
(+ 20 °C) max error  $\pm 0,4\%$  /10K  
of true scale value

#### **STANDARD FEATURES**

#### **PROCESS CONNECTION**

AISI 316 L stainless steel  
Thread size for lower  
1/2" BSP or NPT

#### **PRESSURE ELEMENT / SENSOR**

AISI 316 L stainless steel  
< 100 bar : C – type tube  
> 100 bar : Helical type tube  
Piezoresistive transmitter

#### **MOVEMENT**

Stainless steel, with over and  
underload stop  
Free zero

#### **MEASURING SYSTEM**

Bourdon tube and socket  
TIG-welded: one integral unit

#### **DIAL**

Aluminium with black  
markings on white  
background, dial arc 270 °C

#### **POINTER**

Adjustable, black aluminium

#### **CASE AND RING**

AISI 304 stainless steel  
Bayonet ring style, with  
pressure relief in case top  
With solid baffle wall and  
blow out back  
Filling plug on top (to be used  
also to vent case before use  
for range  $\leq 16$  bar)

#### **INGRESS PROTECTION**

IP 65 – EN 60 529 / IEC 529

#### **GASKET**

Neoprene rubber

#### **WINDOW**

Safety glass 4 mm thickness

#### **LIQUID FILLING (model P600.T)**

Silicon oil

#### **OPTIONAL EXTRAS**

Other process connection  
Case and ring AISI 316 ss  
Surface mounting with back flange  
Silicon oil case filling  
Plastic window max. 80 °C  
Diaphragm seals  
Oxygen service  
Customer designed dials  
Dial tag marking  
Maximum reading pointer  
Screw restrictor

#### **ELECTRICAL DATA**

Power supply : 8 ... 28 V  
Output signal : 4 ... 20 mA  
Total accuracy at 20 °C :  
 $\leq 0,5\%$  of measuring span  
Long-term stability :  $< 0,2\%$   
Operating temperature : -25 / +80 °C  
Compensated temperature range :  
0 ... 50 °C  
Wiring protection :  
IP 65 to EN60529 / IEC 529  
Vibration : 20 g (5... 2000 Hz, max.  
amplitude  $\pm 3$  mm) to IEC 68-2-6  
Shock : 20 g (11 ms)  
Insulation :  $> 100$  M $\Omega$  / 500V  
CE –conformity :  
EN 50081-1 , EN50082-2

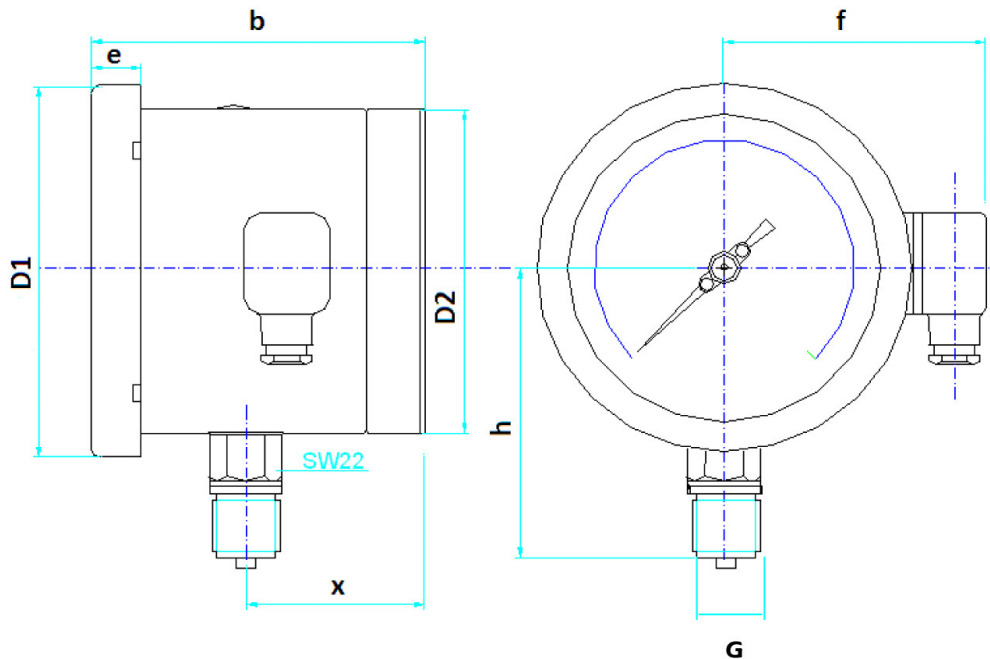


**HEC**

**Calle Pirita 12450 Galpón 22  
La Chimba Alto Antofagasta - Fono (55) 261 8313**

**www.promid.cl**

# P600T



Dimensions (mm)

DN	b	e	D1	D2	h	f	x	G*
100	97	12	111	100	88	89	65	1/2
150	97	12	162	149	111	114	65	1/2

\* BSP or NPT

## How to order

- 1) **NOMINAL SIZE**      100    150
- 2) **BASIC MODEL**      P600T
- 3) **THREAD CONNECTION** (1)      (1) Other connections available on request
 

1 1/4" BSPT-M	2 1/4" NPT-M	3 1/4" BSP-M	7 1/2" NPT-M
8 1/2" BSP-M	9 3/8" BSP-M	10 3/8" NPT-M	11 M 20 x 1,5
- 4) **MOUNTING**
  - L DIRECT BOTTOM ENTRY
  - LF SURFACE/WALL MOUNTING WITH BOTTOM ENTRY
- 5) **SCALE RANGE**      0...0,6 to 0... 600 bar  
 -1...0 to -1...+24 bar (or equivalent other units of pressure or vacuum)
- 6) **OPTION**    P PLASTIC WINDOW    CS AISI 316 CASE & RING    PZ SILICON OIL FILLED DAMPENING LIQUID  
 SJ MAXIMUM READING POINTER    SX STAINLESS STEEL TAG PLATE    SW DIAL TAG MARKING  
 RH CUSTOMER DESIGNED DIAL    MD MOVEMENT WITH DAMPENING JELLY    OS OXYGEN SERVICE  
 PF DAMPENING LIQUID FLUOROLUBE FILLED    PT DAMPENING SCREW RESTRICTOR AISI 316  
 --- DIAPHRAGM SEAL (code and description data sheet "diaphragm seals")

EXAMPLE	1	2	3	4	5	6
	100	P600T	7	L	10 bar	CS - PZ



:D. 04/2009 In the interest of technical progress ITEC reserve the right to modify, without prior notice, the specifications and material mentioned