

P600.CE



BOURDON TUBE PRESSURE GAUGES WITH ELECTRIC CONTACTS

“OPEN FRONT” ALL STAINLESS STEEL AS PER EN 837.1
MODEL P600.CE / P600.CE.5 , WITHOUT / WITH LIQUID FILLING

CASE DIAMETER

100 mm

ACCURACY CLASS

1.0

SCALE RANGES

0...0,6 to 0...1600 bar
or equivalent other units of
pressure or vacuum ranges

PRESSURE LIMITATION

Continuous service:
- steady pressure up to F.S. value
- fluctuating pressure up to 90%
F.S. value
- short time 1,3 x F.S. value for
range up to 100 bar and 1,15
x F.S. for range over 100 bar

OPERATING TEMPERATURE

Ambient :
-40 / +60 °C without liquid filling
-20 / + 60 °C with liquid filling
Medium :
+200 °C max. without liquid filling
+100 °C max. with liquid filling

TEMPERATURE EFFECT

When temperature of the
measuring system deviates
from reference temperature
(+ 20 °C) max error $\pm 0,4\%$ /10K
of true scale value

STANDARD FEATURES

PROCESS CONNECTION

AISI 316 L stainless steel
Thread size for lower or back
mounting :
1/2" BSP or NPT

PRESSURE ELEMENT

AISI 316 L stainless steel
< 100 bar : C - type
 ≥ 100 bar : Helical type

MOVEMENT

Stainless steel, with over and
underload stop
Free zero

MEASURING SYSTEM

Bourdon tube and socket are
TIG-welded: one integral unit

DIAL

Aluminium with black
markings on white
background, dial arc 270 °C

POINTER

Adjustable, black aluminium

CASE AND RING

AISI 304 stainless steel
Bayonet ring style
with pressure relief in case
back
Filling plug on top (to be used
also to vent case before use
for range ≤ 16 bar)

INGRESS PROTECTION

IP 65 – EN 60 529 / IEC 529

WINDOW

Safety glass 4 mm thickness

GASKET

Neoprene rubber

ELECTRIC CONTACTS

Fitted below the dials:
Magnetic contacts
Inductive contacts per directive
94/9/CE ATEX Ex II2GD c
Universal plug connector

LIQUID FILLING (model P600.CE.5)

Silicon oil

OPTIONAL EXTRAS

Other process connections
Case and ring AISI 316 ss
Monel measuring system
Surface mounting with back
flange
Panel mounting with front
flange
U-clamp connection
Silicon oil case filling (ambient
temperature $-40/+60$)
Plastic window (not for ATEX)
Diaphragm seals (see DS data
sheet)
Oxygen service
Customer designed dials
Dial tag marking
Maximum reading pointer
Screw restrictor



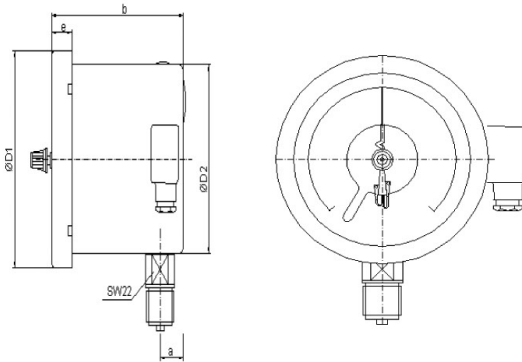
Calle Pirita 12450 Galpón 22
La Chimba Alto Antofagasta - Fono (55) 261 8313
www.promid.cl

P600.CE

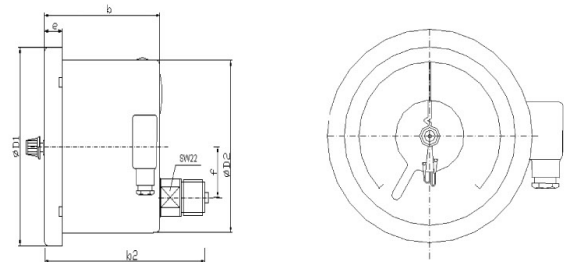


BOURDON TUBE PRESSURE GAUGES WITH ELECTRIC CONTACTS

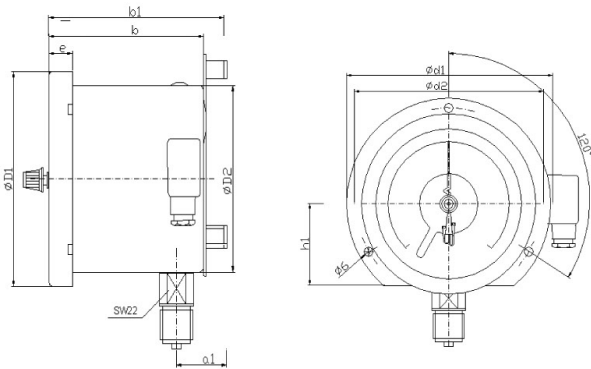
"OPEN FRONT" ALL STAINLESS STEEL AS PER EN 837.1
MODEL P600.CE / P600.CE.5 , WITHOUT / WITH LIQUID FILLING



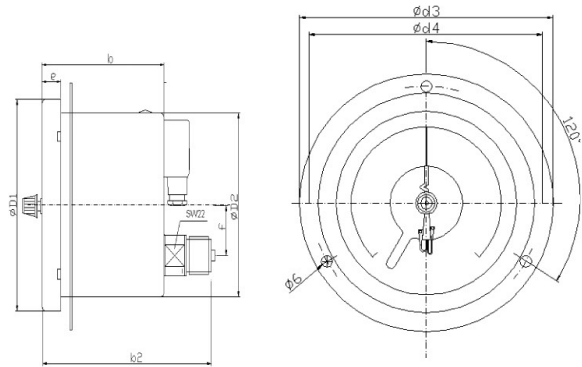
DN	D1	D2	a	b	e
100	110	100	20	89	12.5



DN	D1	D2	b	b2	e	f
100	110	100	89	12.5	135	116



DN	D1	D2	b	e	d1	d2	a1	b1	h1
100	110	100	89	12.5	134	116	20	102	52



DN	D1	D2	b	e	d3	d4	a2	b2	f
100	110	100	89	12.5	135	116	21.5	133	30



Calle Pirita 12450 Galpón 22
La Chimba Alto Antofagasta - Fono (55) 261 8313

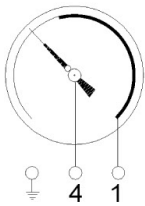
www.promid.cl

P600.CE

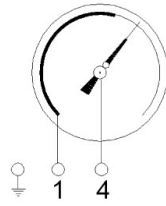


BOURDON TUBE PRESSURE GAUGES WITH ELECTRIC CONTACTS

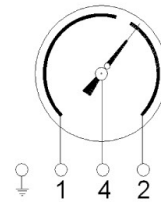
"OPEN FRONT" ALL STAINLESS STEEL AS PER EN 837.1
MODEL P600.CE / P600.CE.5 , WITHOUT / WITH LIQUID FILLING



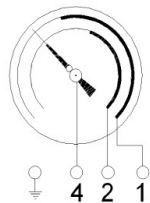
Contact makes when pointer reaches set point (NO—normally open). Code M-1 or I-1



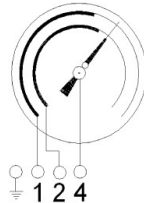
Contact breaks when pointer reaches set point (NC—normally closed). Code M-2 or I-2



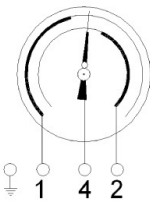
SPDT: 1 contact breaks and 1 contact makes when pointer reaches set point (change over) Code M-3



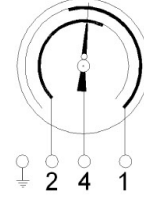
1st and 2nd contact make when pointer reaches set point. Code M-11 or I-11



1st and 2nd contact break when pointer reaches set point. Code M-22 or I-22



1st contact breaks and 2nd contact makes when pointer reaches set point. Code M-21 or I-21



1st contact makes and 2nd contact breaks when pointer reaches set point. Code M-12 or I-12

The switch function, described in the page, follows the clockwise rotary motion of the instrument pointer (actual value pointer)



Calle Pirita 12450 Galpón 22
La Chimba Alto Antofagasta - Fono (55) 261 8313

www.promid.cl