

CBI 200



TEST GAUGE CLASS 0.25

CASE DIAMETER

200 mm

DESIGN

Safety pattern gauge (SOLID FRONT) to EN-837.1

ACCURACY CLASS PER EN 837-3/6

0,25

SCALE RANGES PER EN 837-3/5

0...1 to 0...1000 bar
or equivalent other units of pressure or vacuum

CALIBRATING MEDIUM

≤ 25 bar: gas
> 25 bar: oil

WORKING PRESSURE

Steady: full scale value
Fluctuating: 0.9 x full scale value

OPERATING TEMPERATURE

Ambient: - 40 to 60 °C
Process fluid: max 100 °C

TEMPERATURE ERROR

When temperature of the pressure element deviates from +20 °C:
rising temperature:
+ 0,04% / 10 °C of true scale value
falling temperature:
- 0,04% / 10 °C of true scale value

STANDARD FEATURES

PROCESS CONNECTION

Material: stainless steel AISI 316
Thread size: 1/2" NPT or BSP - M
Lower

PRESSURE ELEMENT

Stainless steel AISI 316
< 100 bar: C-type
≥ 100 bar: helical type

MOVEMENT

High precision movement, stainless steel

DIAL

Aluminium with black markings and antiparallax mirror band
Dial arc 270°

POINTER

Aluminium, knife edge pointer
precision type

CASE AND RING

Material: aluminium casting, black hammer enamel finish
Style: screw-retained aluminium ring, black hammer enamel finish
Protection class:
IP 54 – EN 60 529 / IEC 529

WINDOW

Plastic

OPTIONAL EXTRAS

Other process connection
Carrying case
Sit certificate

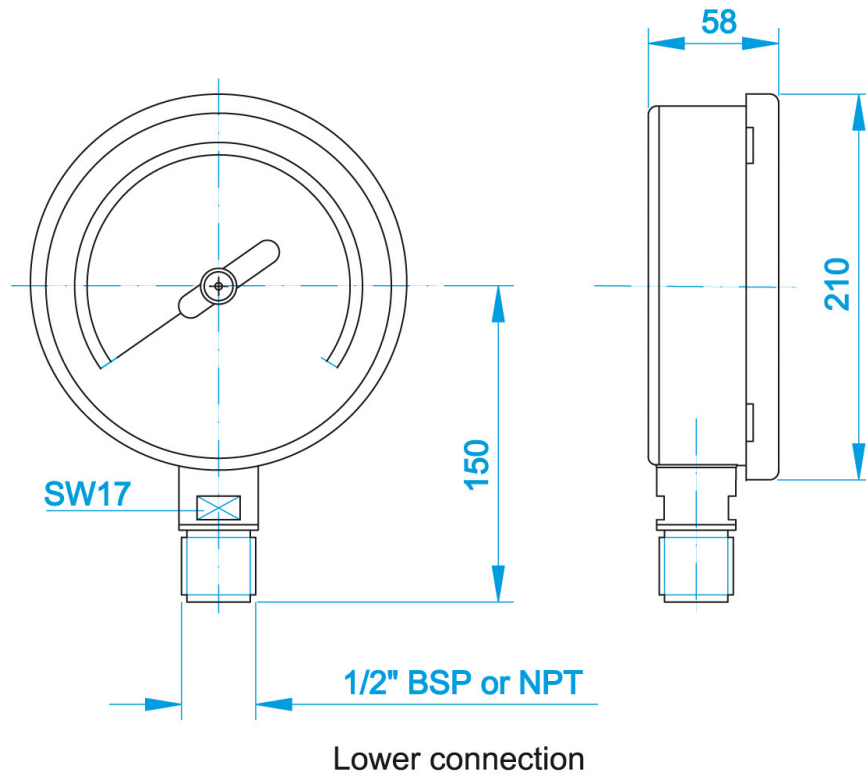


Calle Pirita 12450 Galpón 22
La Chimba Alto Antofagasta - Fono (55) 261 8313
www.promid.cl

CBI 200



TEST GAUGE CLASS 0.25



In the interest of technical progress ITEC reserves the right to modify, without prior notice, the specifications and material mentioned.

HOW TO ORDER

- 1) NOMINAL SIZE**
200
- 2) BASIC MODEL**
CBI200
- 3) GAUGE CONNECTION (*1)**
7 1/2" NPT - M 8 1/2" BSP - M
- 4) TYPE OF MOUNTING**
L DIRECT BOTTOM ENTRY
- 5) SCALE RANGE:**
0...0,1 to 0...1000 bar or equivalent other units of pressure or vacuum
- 6) OPTIONS**
SX SS TAG PLATE CC CARRYING CASE SIT SIT CERTIFICATE

EXAMPLE :

1	2	3	4	5	6
200	CBI200	7	L	25 BAR	CC

Calle Pirita 12450 Galpón 22
La Chimba Alto Antofagasta - Fono (55) 261 8313
www.promid.cl